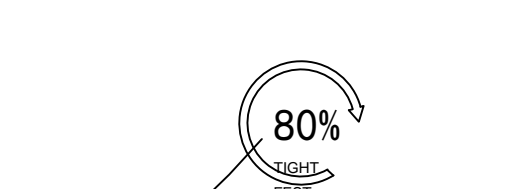
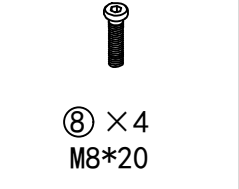
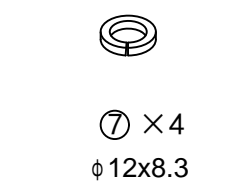
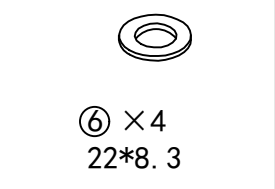
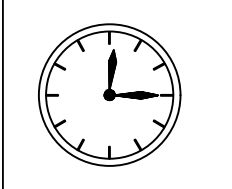
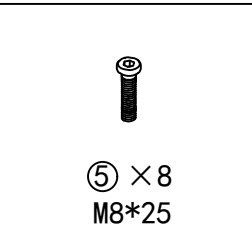
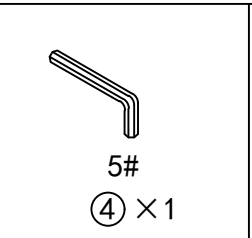
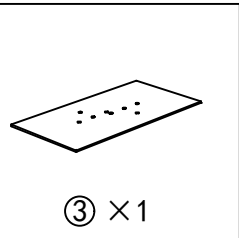
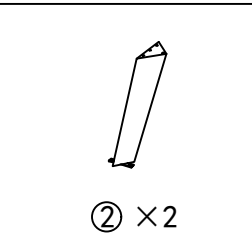
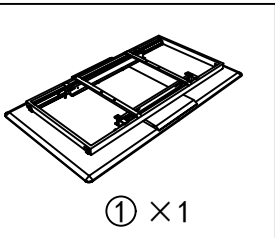
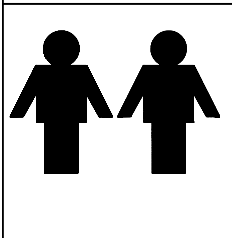
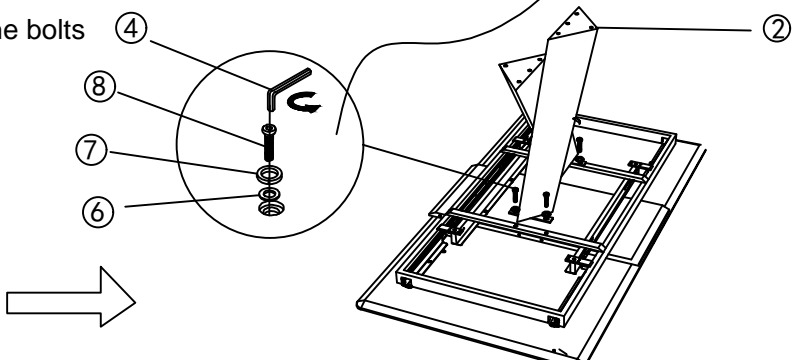
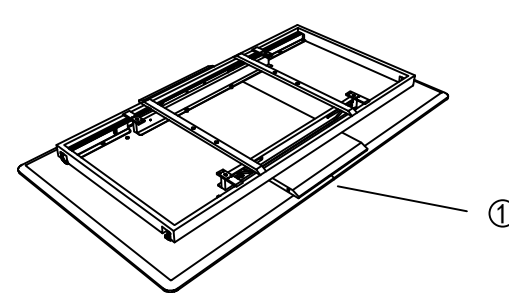


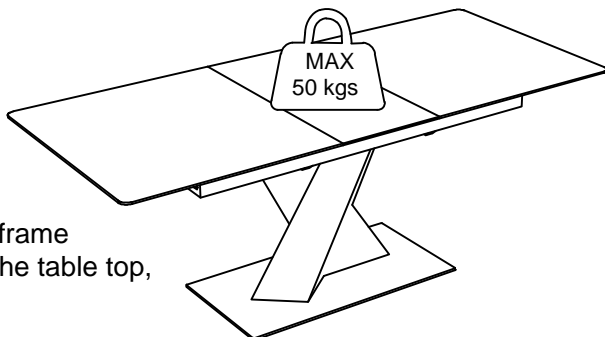
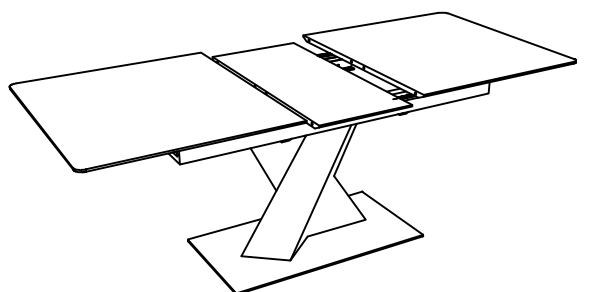
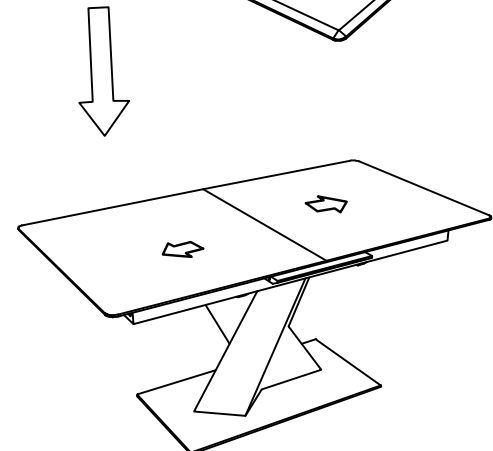
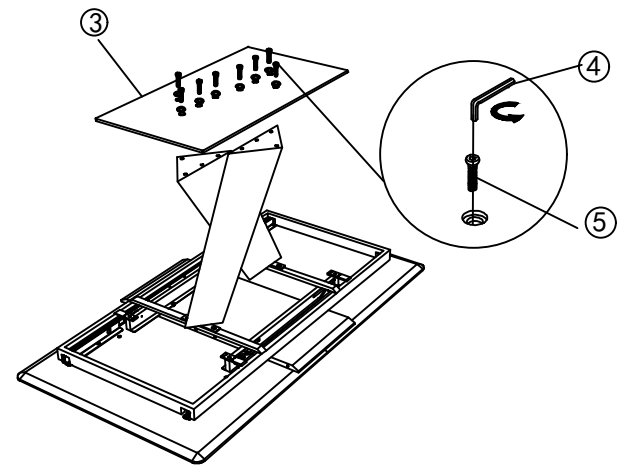
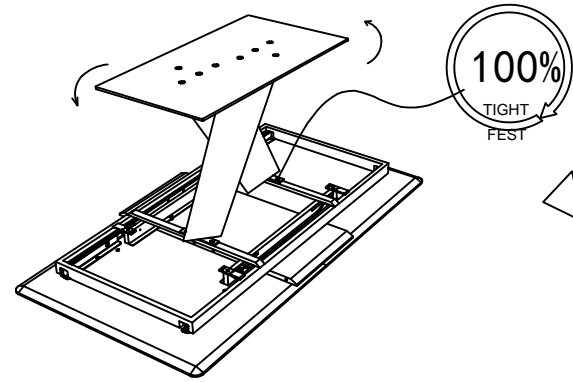
# ASSEMBLY INSTRUCTIONS



1. The legs need to be aligned first before tightening of the bolts



line up the top and base then 100% fest the screws



2. adjuster bolt is (under table frame extension) to line up/level off the table top, if required