
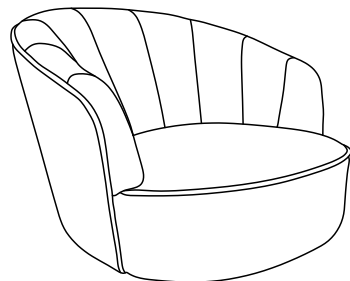



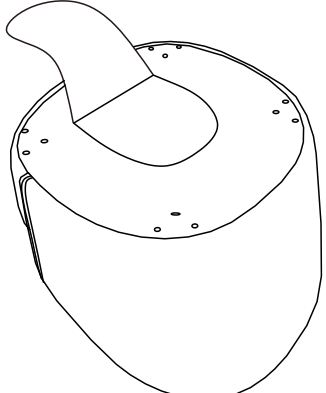






ASSEMBLY INSTRUCTION

A	 M6	1	C 	D	 back	2
B	 M6x25	12		 front	2	

STEP 1



-  backx2
-  frontx2
-  Bx12
-  Ax1

STEP 2

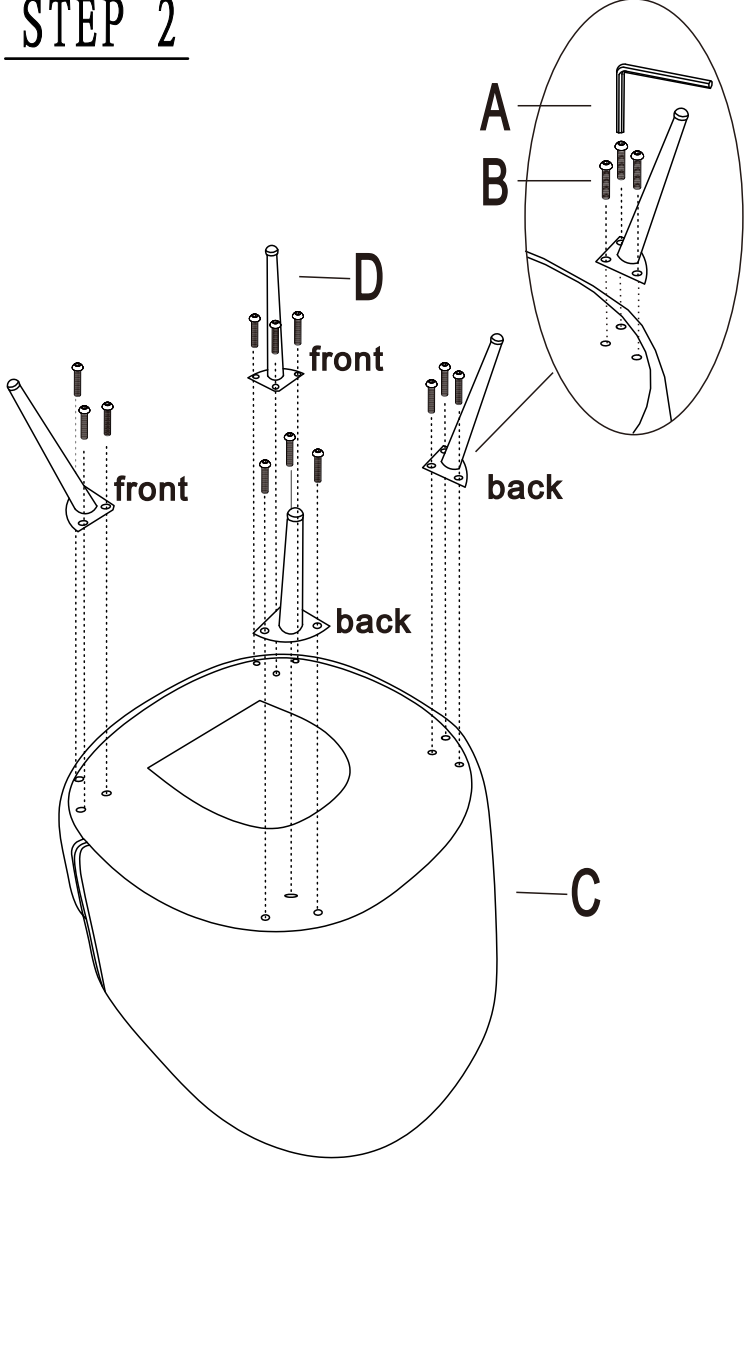


Diagram illustrating the attachment of legs (D) to the chair seat and backrest (C). The front legs are attached to the front of the seat, and the back legs are attached to the back of the seat. The diagram shows the front and back views of the assembly process, with labels for the legs (front, back), the seat/backrest (C), and the legs (D). An inset shows the attachment of the L-shaped bracket (A) and screws (B) to the seat/backrest.

STEP 3



Diagram illustrating the final assembled chair. The chair is shown with the seat and backrest (C) and the four legs (D) attached. An inset shows a close-up of the leg attachment point.