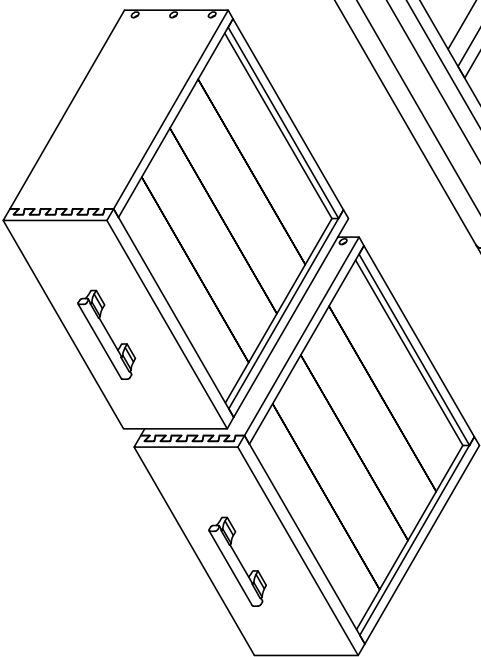
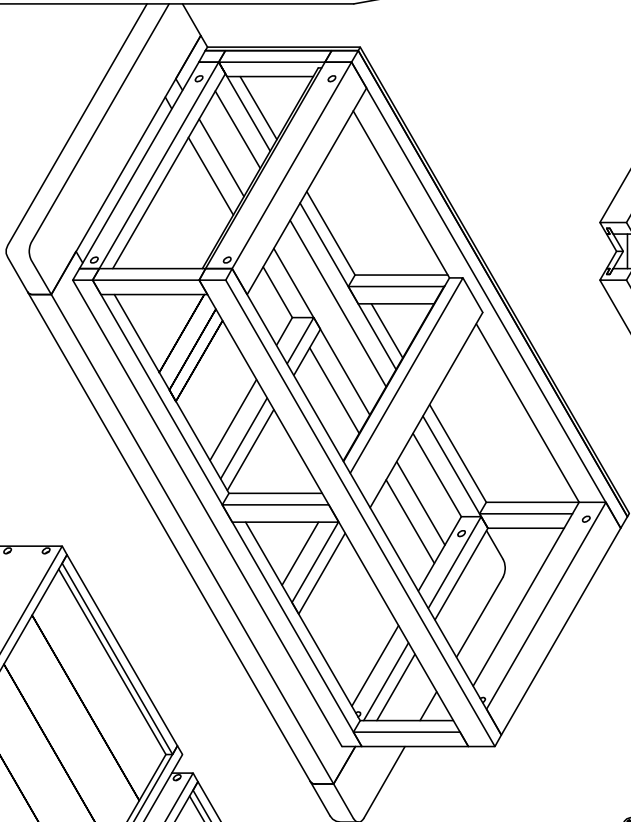
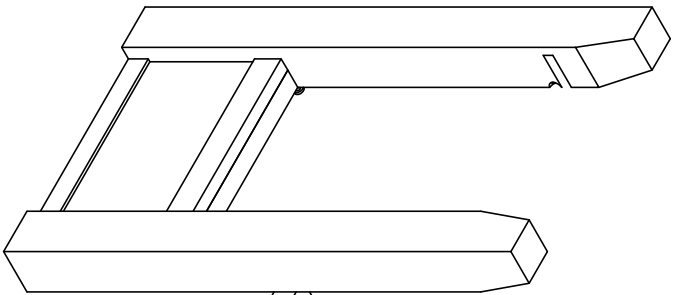
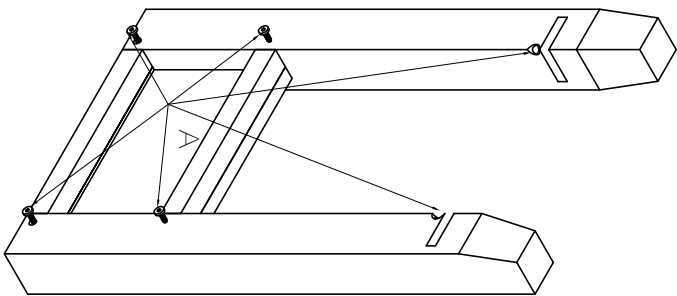
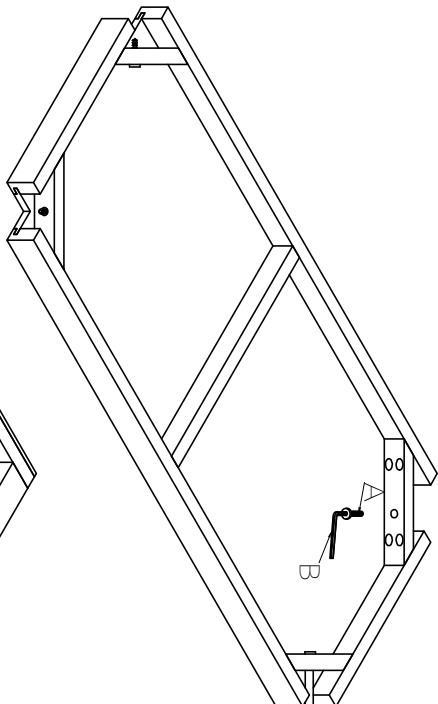
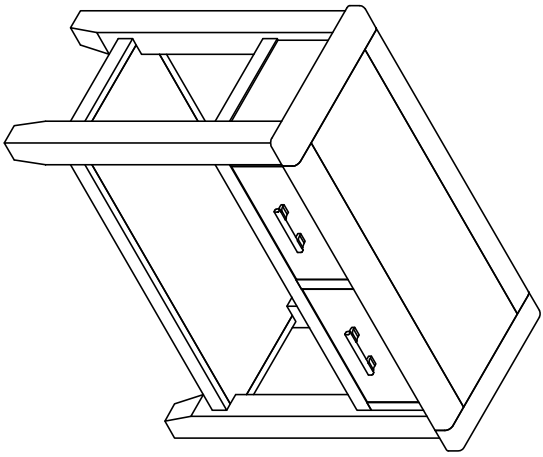





# ASSEMBLY INSTRUCTION



NO	HARDWARE LIST	QTY
A	BOLTS 6X60 	12PCS
B	ALLEN 	1PCS
	FLAT WASHERS 	8PCS